

Ampair[®] 600 Wind Turbine

Operation, Installation & Maintenance Manual



1	INTRODUCTION.....	3
1.1	Labelling	3
1.2	Applications	3
2	SAFETY INSTRUCTIONS	4
2.1	Disclaimer:.....	4
2.2	Potential sources of danger.....	4
3	TECHNICAL CHARACTERISTICS.....	7
3.1	Required space	7
3.2	Technical data	7
3.3	System description	8
4	INSTALLATION.....	9
4.1	Installation sequence.....	9
4.2	Wind turbine packing list.....	9
4.3	Accessories packing lists.....	11
4.4	Tools	12
4.5	Choosing a mounting.....	12
4.6	Electrical installation	14
4.7	Electrical components	18
4.8	Final assembly.....	23
5	OPERATION & PERFORMANCE.....	24
5.1	Operation - starting and stopping battery charge units	24
5.2	Operation – grid connected unit	25
5.3	Performance	26
6	INSPECTION & MAINTENANCE.....	26
6.1	Major disassembly.....	27
6.2	Drawings and component list	30
6.3	Recommended spares	32
7	WARRANTY	32
8	SERVICING, REPAIRS, & DISPOSAL	32

Disclaimer:

The information in this manual is believed to be correct and reliable. However Ampair assumes no responsibility for inaccuracies and omissions. The user of this information and product assumes full responsibility and risk.

All specifications are subject to change without notice.

Wind turbines, electrical power and battery systems, and wind turbine mounting systems are all capable of causing death or serious injury or fire if incorrectly installed, operated, or maintained. If in doubt, ensure that all activities are carried out by trained and competent personnel.

1 INTRODUCTION

Thank you for purchasing an Ampair 600 wind turbine.

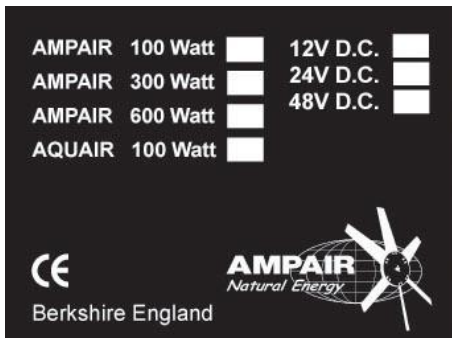
Ampair has been producing high quality wind turbines for over thirty years. The Ampair 600 is designed and manufactured to give you many years of trouble free power generation. However, as with any other wind turbine, reliable and effective operation will depend on where it is located and how it is assembled and connected. Periodic inspection and maintenance is required. Furthermore there are safety hazards associated with all wind turbines and this is why we ask that you read this manual carefully.

1.1 Labelling

This manual applies to the Ampair 600 manufactured by Ampair.

Ampair Energy Ltd
 Unit 2, Milborne Business Centre, Blandford Hill,
 Milborne St Andrew, Blandford Forum, Dorset,
 DT11 0HZ, UK
 Tel. +44 (0)1258 837 266
 Fax. +44 (0)1258 837 496
 Internet www.ampair.com
 Email sales@ampair.com

Ampair® is a business of Boost Energy Systems Ltd, manufacturers of distributed energy systems for fifty years. Ampair® and PowerFurl™ are trademarks of Ampair and Boost Energy Systems Ltd.



The label with the model type and nominal voltage is on the electrical box cover where the name Ampair is shortened to AMPAIR.



The serial number of the wind turbine is stamped on the lower left side of the main body casting on the outside of the tail fin flange.

1.2 Applications

The electrical power produced by the Ampair 600 wind turbine charges 12 volt or 24 volt DC batteries. Alternating current (AC) electrical appliances can be supplied by connecting a 220/240 volt or 110 volt inverter to the batteries. It is also possible to connect the Ampair 600 to an electrical utility supply using a suitable grid tie inverter system supplied by Ampair.

For over thirty years wind turbines manufactured by Ampair have powered a wide variety of locations including sailing yachts; remote houses; medical facilities; holiday homes; emergency shelters; navigational aids; scientific and environmental monitoring stations; telecommunications systems; cathodic protection systems; remote industrial locations; caravans and mobile homes; and increasingly are being used to decrease dependence on centrally generated electricity in grid-connected homes, offices, and commercial property.

Date: 30 Jan 2012	Ampair 600 Mk 1 Manual	CD: 2400
Issue: 1.1		Page 4 of 32

Ampair recommends that most clients install wind turbines in combination with a proportionate amount of solar photovoltaic panels (solar PV) as wind and solar power are highly complementary sources of renewable, carbon neutral, non-polluting energy.

2 SAFETY INSTRUCTIONS

Please read this manual carefully before starting assembly and installation, or before conducting maintenance. This manual provides information that is critical to ensuring your safety during assembly, operation, and in case of trouble. If you have further questions please contact your dealer, an Ampair service partner, or Ampair itself.

2.1 Disclaimer:

The information in this manual is believed to be correct and reliable. However Ampair assumes no responsibility for inaccuracies and omissions. The user of this information and product assumes full responsibility and risk.

All specifications are subject to change without notice.

Wind turbines, electrical power and battery systems, and wind turbine mounting systems are all capable of causing death or serious injury or fire if incorrectly installed, operated, or maintained. If in doubt, ensure that all activities are carried out by trained and competent personnel.

2.2 Potential sources of danger

Wind turbines are electrical machines with high speed rotating parts which are typically mounted at height. Thus there are a variety of sources of potential hazards which can result in death or serious injury. These dangers exist during installation, operation, or inspection and maintenance.

2.2.1 Mechanical dangers

The main dangers are the spinning rotor and the tail. The rotor blades are very sharp and can cause very serious injuries even at low speeds.

WARNING: Never touch the rotating rotor (the blades or hub).
Never try to stop the rotor by hand.
Do not mount the rotor where people or animals can reach the area swept by the rotor.

The rotor blades are made of glass fibre reinforced plastic and other composites. They are extremely strong and are designed to withstand severe weather. However the blades may break if objects (e.g. ropes, branches, clothing, flying ice, other debris) enter the rotor. If this happens the rotor will discharge very sharp fragments of blade and debris at high speed. Also any items that become tangled in the rotor (such as ropes) will whip around unpredictably and with great force.

WARNING: Avoid any objects entering the rotor.
Never try to stop the rotor by throwing a rope or other object into it.

In order to maximise aerodynamic efficiency and to minimise sound levels the rotor blades' trailing edges are very sharp. Handle these carefully and use gloves if necessary.

WARNING: Use gloves when handling the rotor and blades.

The wind turbine is free to swivel about the pivot. This means that even when the rotor is stationary it can swivel and the tail (or rotor) may hit anybody who has approached the machine. The machine will not

Date: 30 Jan 2012	Ampair 600 Mk 1 Manual	CD: 2400
Issue: 1.1		Page 5 of 32

make a noise as it swivels and such a blow can be with great force and little warning (especially in gusty wind conditions and/or on a boat). It will swivel extremely unpredictably if the rotor is fitted but the tail is not fitted.

WARNING: Prevent the machine swivelling before entering the radius of the tail and rotor.
Install the tail before installing the rotor; remove the rotor before removing the tail.
Wear a safety helmet before entering the radius of the tail and rotor.

2.2.2 Electrical dangers

The generator can produce open circuit voltages of up to 60 volts AC_{rms} (12 volt version) and 120 volts AC_{rms} (24 volt version) in the wiring run between the turbine and rectifier. This is in no load operation with the stop switch in the 'on' position and at a wind speed of approximately 30 miles per hour (approximately 15 metres per second).

WARNING: Avoid handling bare open circuit wiring tails unless the rotor is physically stopped.

The charging current can reach up to 50 amps DC (12 volt version) and 25 amps DC (24 volt version) in the wiring run between the rectifier and the battery (or load).

WARNING: Install cables with sufficient cross sectional area of conductor. Inadequately sized cables can rapidly overheat and create a fire hazard.
Install electrical components of sufficient voltage and current capacity at all points in the circuit.

The battery must never be short circuited as the fault current is extremely high. If you do so there is a serious risk that you will set the battery and cabling on fire, as well as releasing flammable and potentially explosive gases (hydrogen) from the battery, and you will probably destroy the battery.

WARNING: Never short circuit the battery.
Install fuses immediately adjacent to the wind turbine side of the battery (but not within the battery compartment as the spark from a blowing fuse could ignite an explosive hydrogen/air mixture).

Charging lead acid batteries releases flammable and potentially explosive hydrogen gas. Unsealed lead acid batteries have vent caps to release this gas, which can detonate if it is mixed with air and a spark is present (e.g. from a switch or a blowing fuse) or other ignition source (e.g. naked flame or hot surface such as an exhaust).

WARNING: Provide sufficient ventilation to the battery compartment.
Do not locate ignition sources within the battery compartment.

The regulators manufactured by Ampair must not be mounted on flammable surfaces.

WARNING: Do not install regulators on or near flammable materials.

Date: 30 Jan 2012	Ampair 600 Mk 1 Manual	CD: 2400
Issue: 1.1		Page 6 of 32

2.2.3 Dangers when mounting the wind turbine or working at height

Very careful attention must be given to the strength and integrity of the mounting. As a minimum this should be capable of withstanding a peak horizontal load of 5000 N (500 kg or 1000 lbs). If mounting the wind turbine on a vessel, note that the mounting has to withstand both the thrust from the wind, as well as the weight of the turbine, and the inertial loads arising from vessel motions.

WARNING: Only use adequately designed mounting systems.

A fall from the height at which a wind turbine is ordinarily mounted will often result in death or serious injury. Therefore whenever practicable carry out as much work as possible on the wind turbine at deck or ground level. If it is necessary to work on an installed wind turbine then use an appropriate access system such as a mast that is designed to carry the load of a person; a 'man-rated' winch or rope access system; a hydraulic lift or other safe working platform. Wear appropriate safety equipment and make the general working area as tidy and safe as possible. If possible work during daylight on windless days (and in calm seas if on a boat). Above all else think carefully about what you need to do and plan your work carefully, have all the tools and equipment ready before you start, then brief all the members of the work team thoroughly – including the actions in the event of an accident and/or injury.

WARNING: Whenever possible work on the ground or deck, not at a height.
 Use safety harnesses, safety helmets, and safety slings, etc.
 Use 'man-rated' lifting equipment and access systems
 Work in daylight, on windless days (and in calm seas).
 Keep the work area clear, plan your work, have your entire equipment ready, and brief the team before starting the job.

Falling objects are potentially fatal. Do not step underneath hanging loads or folding/tilted masts. Make sure that onlookers are kept back beyond the collapse radius of any masts. Ensure that any suspended objects or tools are secured (e.g. by safety lanyards). Prevent onlookers from approaching (e.g. erect a safety barrier and warning signs).

WARNING: Secure any objects that might fall.
 Do not go underneath hanging loads and the work area; wear safety helmets.
 Keep onlookers at a safe distance.

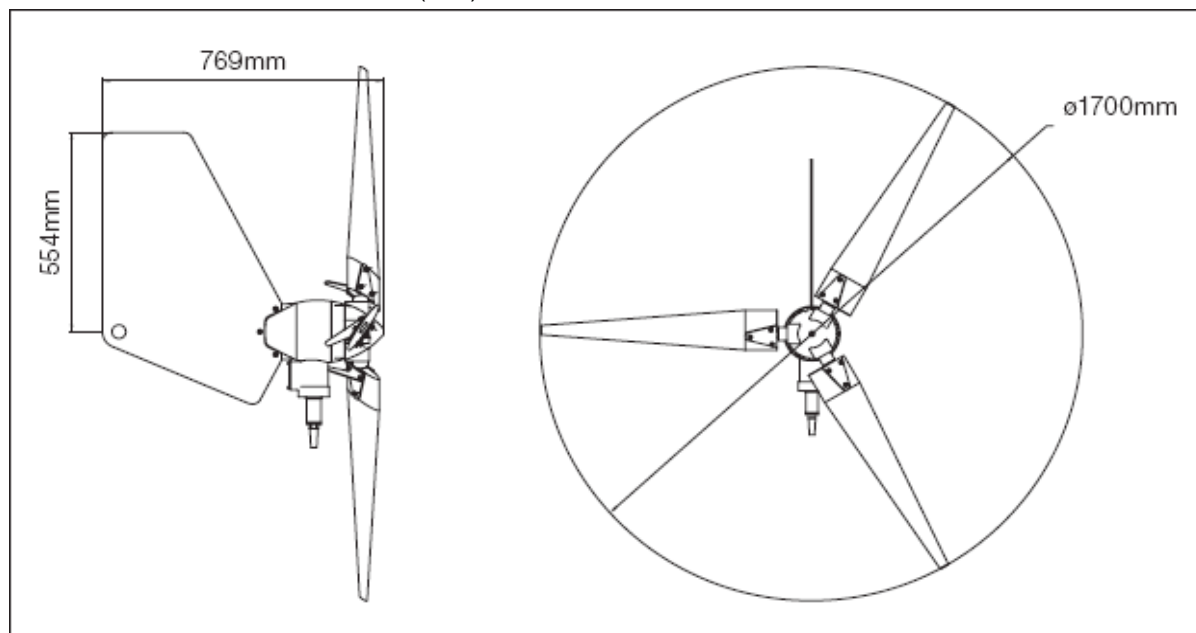
When working on the wind turbine, especially when working at height, it is important to make sure it is first electrically safe. Therefore prevent it generating (use the stop switch, turn it out of wind, and/or tie one of the rotor blades to the mounting system or mast) and disconnect it from the battery system.

WARNING: Disconnect all batteries and other power sources.
 Prevent the generator from unintended starting.
 Never approach the running rotor.

3 TECHNICAL CHARACTERISTICS

3.1 Required space

The Ampair 600 is designed for installation on 2" and 3" mounting systems. The diagram below shows the external dimensions in millimetres (mm):



3.2 Technical data

Nominal power	600 Watts
Rated wind speed for nominal power	11.0 metres per second (25 knots, or 29 miles per hour)
Cut in wind speed	3 metres per second (6 knots, or 6.9 miles per hour)
Thermal cut out	None
Survival wind speed	Storm proof
Rotor diameter	1.7 metre
Number of blades	3
Blade material	Glass reinforced polyester (GRP)
Rotor speed	500-1400 rpm
Generator type	Permanent magnet, three phase with external rectifier (rare earth neodymium magnets)
Nominal voltage	12 volt DC, or 24 volt DC or 115 volt AC / 60 Hz, or 230 volt AC / 50 Hz
Speed regulation	Blade pitch control above 13 metres per second (27 knots, 30 miles per hour)
Power regulation	Blade pitch control above 13 metres per second

Date: 30 Jan 2012	Ampair 600 Mk 1 Manual	CD: 2400
Issue: 1.1		Page 8 of 32

Brake	Generator short circuit ('stop' switch)
Weight	16 kg
Housing	Die cast aluminium (powder coated)
Colour	White (it may be repainted by the client)
Rotor thrust (at 20 metres per second)	800 Newtons

3.3 System description

The Ampair 600 is a wind driven generator (a wind turbine) capable of supplying up to 600 Watts of electrical power at either 12 or 24 volts for charging batteries, or operating via a grid-tie inverter at 115 or 230 volts. A complete system includes the generator, the rectifier, the field wiring, and normally a stop switch and a regulator, plus either batteries or a grid-tie inverter, and of course a mounting.

3.3.1 The generator

The unit consists of a two part cast aluminium body, the two parts sealed by an "O" ring. One twelve pole permanent magnet rotor runs on a stainless steel shaft. The shaft runs in two sealed grease-packed ball bearings. One three phase stator is located within the body.

The three phase alternating current output of the stator passes to three carbon brushes mounted in brush holders located behind the lower body section, accessible through the electrical cover plate. The carbon brushes carry the output to three brass slip rings mounted on the stationary pivot shaft, allowing the machine to rotate to follow the wind. The output is electrically isolated from the case.

The body is mounted on the pivot shaft where it runs on sealed grease packed ball bearings at the top and a composite plain bearing at the base. The top bearing is captive in the body; the lower bearing is located in the body by a stainless steel spiral retaining ring. The pivot section contains an "O" ring around the lower bearing to body junction and a "V" seal where the pivot shaft passes through the lower bearing.

The pivot axis passes through the centre of gravity of the assembled machine. This is necessary to ensure alignment into the wind in light breezes without undue spinning, and to allow the wind turbine to be used on small boats.

The rotor disc and hub together make up the unique PowerFurl™ furling mechanism. The three cambered and twisted glass reinforced polyester (GRP) moulded blades have been designed to be perfectly balanced and aerodynamically and acoustically efficient. They are mounted on an aluminium hub (shaped like a nose cone) together with three stainless steel blade pitching weights. The purpose of the PowerFurl™ furling mechanism is to simultaneously twist all three blades along their axis when the wind speed becomes excessive, whilst still keeping the wind turbine facing into the wind and generating power. The three special pitching weights form an integral part of the PowerFurl™ mechanism. The hub is fitted to the generator shaft by a special high tensile M10 cap screw.

The blades have a relatively broad root section to enable them to start up in low wind speeds. This is important as for much of the time the wind only blows at low speeds. The blades are of a rigid construction to minimise pulsating aerodynamic noise caused by blade deflection (fluttering)

An aluminium alloy tail vane is clamped to the rear of the generator body using three M8 x 25mm stainless steel screws, six plain washers and three lock nuts. The tail vane is provided with a grab hole at its lower corner to facilitate turning the unit cross-wind to stop the wind turbine rotating when required (e.g. using a boat hook).

All Ampair 600 units are constructed of marine grade materials. All aluminium parts are alacromed and powder coated inside and out, or anodised. All other parts are stainless steel or composite, except for elastomers.

3.3.1.1 Low temperature operation

Plastic materials do not perform well in extreme cold, becoming brittle and breaking. This applies to wind turbine blades, whether glass filled or not. Operation at around 0°C should not be a problem, but most materials are vulnerable at -20°C and cannot be warranted to survive indefinitely. Ampair's glass filled

Date: 30 Jan 2012	Ampair 600 Mk 1 Manual	CD: 2400
Issue: 1.1		Page 9 of 32

polyester blades are superior to nylon, carbon polymer or other plastics in this respect. However, when ice factors are also considered, the prediction of blade reliability is even more difficult.

Other materials are also suspect. For this reason Ampair uses Neoprene components where possible and "Arctic" grade PVC cables. Grease used in sealed bearings allows performance to -30°C or below, but component tolerances (ball and ring) can lead to greater friction and increased wear causing reduced bearing life.

3.3.2 The rectifier

It is best to transmit electrical power as AC at as high a voltage and as low a current as possible so as to minimise losses due to the resistance of the wiring system. For this reason the rectifier of the Ampair 600 is not fitted inside the generator but is instead supplied as a separate unit for fitting adjacent to the regulator and/or battery or inverter. The rectifier is a three way bridge rectifier mounted on a heat sink.

3.3.3 Other system components

The basic wind turbine package only consists of the generator. The other components which can be linked together in a modular manner are described elsewhere in this manual.

4 INSTALLATION

4.1 Installation sequence

A lot of problems can be prevented if the following sequence is adhered to:

1. First check that your order is complete and undamaged, and that you have received the correct voltage generator (12 or 24 or 115 or 230 volt). See the packing lists below to assist in this.
2. Gather your tool kit. See tool list below.
3. Plan your installation. See guidance notes below.
4. Mechanically install the mounting system.
5. Run the electrical wiring and mechanically mount any accessories (including the rectifiers on their heatsink) but do not connect to the batteries or grid.
6. Mechanically install the wind turbine generator, and then electrically connect it.
7. Connect to the batteries.
8. Check correct operation & installation.

4.2 Wind turbine packing list

The Ampair 600 Wind Turbine is packaged in recyclable cardboard cartons with foam inserts. The foam inserts are not easily recyclable and have been used because transit damage to the turbine is even less environmentally responsible than using foam. The cartons contain:



A	1	pcs	Generator	
B	1	pcs	Hub	
C	1	pcs	Tail vane	
D	1	pcs	Tail vane pad	
E	3	pcs	Rotor blade	
F	1	pcs	Hub fixing screw	M10 x 100 (special high tensile)
G	3	pcs	Tail fin bolts	M8 x 25 hex head
H	3	pcs	Tail fin washers	M8 plain washer
I	3	pcs	Tail fin nyloc nuts	M8 nyloc nut
J	3	pcs	Blade pitching weights	c/w M8 threaded stud
K	6	pcs	Blade mounting bolt (short)	M8 x 45 SS dome headed capscrew
L	9	pcs	Blade washers	M8 lock washer
M	9	pcs	Blade mounting nuts	M8 nyloc nuts
N	1	pcs	Allen key	6mm hex wrench
O	1	pcs	Allen key	5mm hex wrench
P	1	pcs	Operation manual	
Q	9	pcs	Blade washers	M8 plain washer

Date: 30 Jan 2012	Ampair 600 Mk 1 Manual	CD: 2400
Issue: 1.1		Page 11 of 32

4.3 Accessories packing lists

4.3.1 Ampair 600 stern mount kit (SMK)

The Ampair/Scanstrut 600 Stern Mount Kit (SMK) carton contains:

A	1	pcs	Pole A, 2500mm,	Four 6.5mm holes each end, two 10.2mm holes centrally
B	1	pcs	Pole B, 800mm,	Stainless steel strut
C	1	pcs	Pole C, 1200mm	Stainless steel strut
D	1	pcs	Kit 1: Strut, yoke & feet fixings	1 pcs M6 x 40mm screw 2 pcs M6 x 35 hex screw 3 pcs M6 shakeproof washers 3 pcs M6 Nyloc nuts 1 pcs M10 threaded rod 75mm 2 pcs M10 shakeproof washers 1 pcs M8 x 60mm hex bolt 2 pcs M8 plain washers 1 pcs M8 Nyloc nut

This arrangement, places the blade tips 2 metres (7 feet) above the base fixing. If there is a raised area adjacent upon which people may stand, raise this base accordingly.

4.3.2 Ampair 600 gantry mount

The Ampair 600 Gantry Mount carton contains:

O	1	pcs	Bracket	Pole with double welded base flange
---	---	-----	---------	-------------------------------------

4.3.3 Ampair 600 land mounting systems

Mounting systems are available for land use of the Ampair 600, but many users choose to fabricate their own from local materials. See guidance notes further on, or ask Ampair if you wish to purchase a system suitable for your site.

4.3.4 Ampair 600 regulator

The Ampair 600 regulator assembly includes the rectifier, the regulator, heat-sinked dump loads, fuses, and a stop switch. The carton contains:

A	1	pcs	Regulator	12 volt, 24 volt, or 48 volt
B	1	pcs	Operation manual	

4.3.5 Ampair 600 stop (parking) switch

The Ampair 600 Stop Switch carton contains:

A	1	pcs	Stop (parking) switch	
B	1	pcs	Operation manual	

4.3.6 Fuse holder and fuses

The bag of fuse holders and fuses contains:

A	1	pcs	Fuse holder	For 60 Amp, slow blow
B	1	pcs	Fuse	60 Amp, slow blow

4.4 Tools

For installation of your Ampair 600 the necessary Allen keys are supplied. In addition to any specialist tools required for locally fabricated mounting systems, the following general tools will also be helpful:

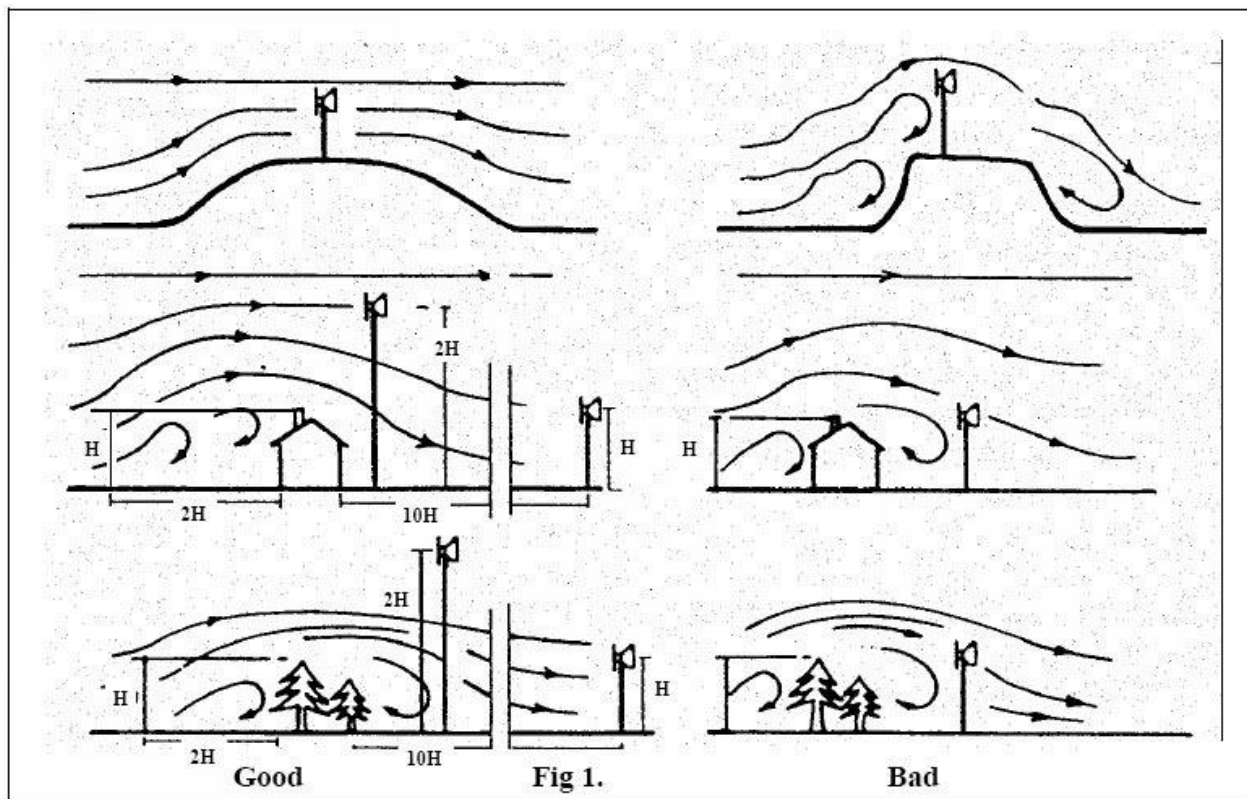
- Screw drivers
- Spanners
- Wire strippers
- Wire crimpers
- Heat shrink and/or electrical tape
- Multimeter

4.5 Choosing a mounting

Where and how to mount a wind turbine is critical. The consequences of selecting a poor location can be unsafe operation, poor reliability, and low power output – or all three. As well as reading these guidance notes, if in doubt please consult Ampair or your distributor for advice.

4.5.1 Siting land based units

The wind turbine should be sited as high as practicable, clear of windbreaks or buildings and away from sources of turbulence. These conditions are shown diagrammatically below.



WARNING: Before a wind turbine is installed in an excessively windy location, the operators must satisfy themselves that the site is suitable. It may be necessary to log site wind speed and direction data at various heights prior to installing the machine.

Any indication of turbulence means that the generator should be re-sited or raised above the turbulence. Wind data must be from exactly where the turbine is to be sited, not

merely close by.

If possible avoid roof-top mounting which can give rise to turbulence, shock loads and vibration. If roof-top mounting is selected then ask Ampair for a vibration-isolated mounting system.

4.5.2 Mechanical installation of land based units

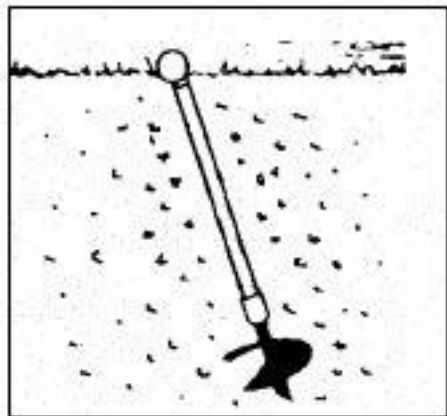
Free-standing installations should generally conform to the figure on the right. The main components are:

Mast: of steel tube (water pipe or scaffold tube), alloy tube or wood (telegraph pole). If the guys are unsuitable (grazing cattle or small children) then use a telegraph pole one third buried, or a lattice tower as an expensive alternative.

Guys: Usually galvanised steel wire protected by plastic sheath and fitted with end thimbles. Don't use a material that will stretch or deteriorate. Three equally spaced guys (120°) will assist raising and lowering the assembled mast. A high mast will require intermediary guying: the top guys hold the mast upright, and the lower guys prevent it from buckling.

The top fixing point for the guys should allow for minimum overhang of the wind turbine generator, i.e. be only a short distance below the wind turbine blade tips. This prevents the top section of the mast from swaying too much.

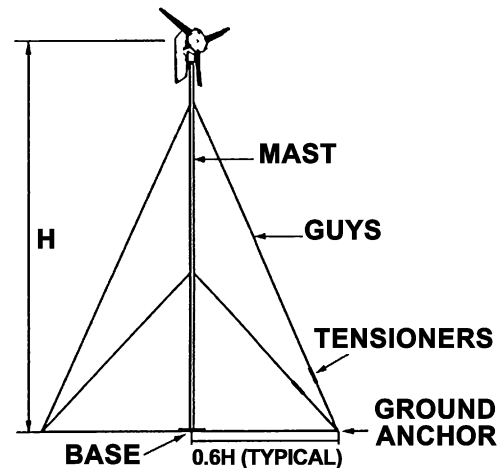
Tensioners: These are the simple and easiest method of tensioning guys, but adjustment must be uniform, since it is the guys that resist the thrust of the wind turbine. Do not over tension – a guy should be snugly taut, but not drum tight.



Ground anchors: These should be suitable eyebolts fixed in the ground and in line with the guys. Anchors in soft earth may require concrete blocks or 'dead men'. Gravel or clay soils require "auger" type anchors (see inset picture) and rocky ground may need drilling and expanding rock anchors. Only the eye should be visible above ground. Avoid waterlogged soils which have poor holding properties. Install anchor below the frost level or otherwise 'frost heave' will eject them.

Base: This is to carry the weight of the generator and mast only. Fixing again depends on the ground state but metal pegs driven into soil are often sufficient. A lattice tower would need a concrete base with expansion bolt fixings ('rawlbolts'). It is often convenient to make a pivot arrangement for the base in-line with one guy anchor to aid raising and lowering.

Lightning: Directly earth all metalwork. Bury output cables (minimum ½ metre depth) between mast and battery position for better protection than suspending in air. Either run cabling through plastic conduit or use a type specified for burying by local building or electrical codes.



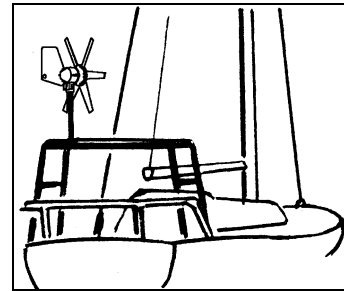
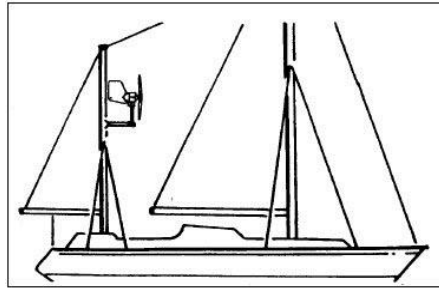
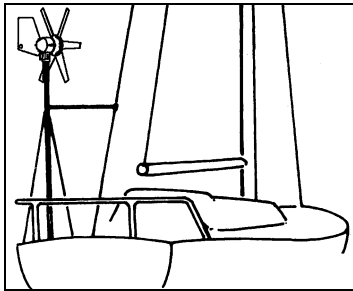
4.5.3 Siting boat based units

There are four basic alternatives in the confined quarters of most small boats:

- On a tall stayed pole on the stern of a boat (the de luxe stern mount kit).
- On a bracket on the mizzen mast of a yacht (mizzen bracket – seek advice re Ampair 600).

Date: 30 Jan 2012	Ampair 600 Mk 1 Manual	CD: 2400
Issue: 1.1		Page 14 of 32

- c) On a custom made welded 'pushpit' structure, "A" frame, davit gantry etc. (gantry mount).
- d) At the main or mizzen masthead of a yacht.



On a small boat space is at a premium and so the aim should be to get the wind turbine high up, away from people on the busy deck. This has the advantage of placing the turbine up where the wind is stronger, but has the disadvantage of adding top weight. Mast tops are generally the most congested location on a boat and so these are seldom utilised as a mounting location, irrespective of top weight considerations. On ketches (other than junk rigged ones) the mizzen mast provides a good location, but for sloops stern pole mounts or stern gantry mounts are more typical compromises. The advantage of a stern pole is that it can be de-rigged fairly easy (e.g. to put a boat into racing trim for a season) whereas gantries are for committed cruisers and will also typically be designed as tender davits, aerial mounts, and solar panel mounts.

Very careful attention must be given to the strength and integrity of the mounting. This should be capable of withstanding a peak horizontal load of 500 kg (600 lbs). Bear in mind that the blades will flex slightly in extreme weather conditions and so sufficient clearance must be left for this. The mounting should not rest on a resonant surface such as the centre of a cabin roof since this may transmit any vibration making the machine audible inside.

- WARNING:** The mounting pole should be vertical.
The space between the blade tips and the mounting pole must be left clear, i.e. no clamps or other items should diminish this clearance.
The pole base should be mounted where the structure is very rigid

4.5.4 Mechanical installation of Ampair 600 stern mount kit

- a) Check. Ensure that a complete and undamaged set of parts has been received.
- b) Read. The instructions enclosed with the Ampair/Scanstrut system.
- c) Assemble. The system.
- d) Install. The turbine.

4.6 Electrical installation

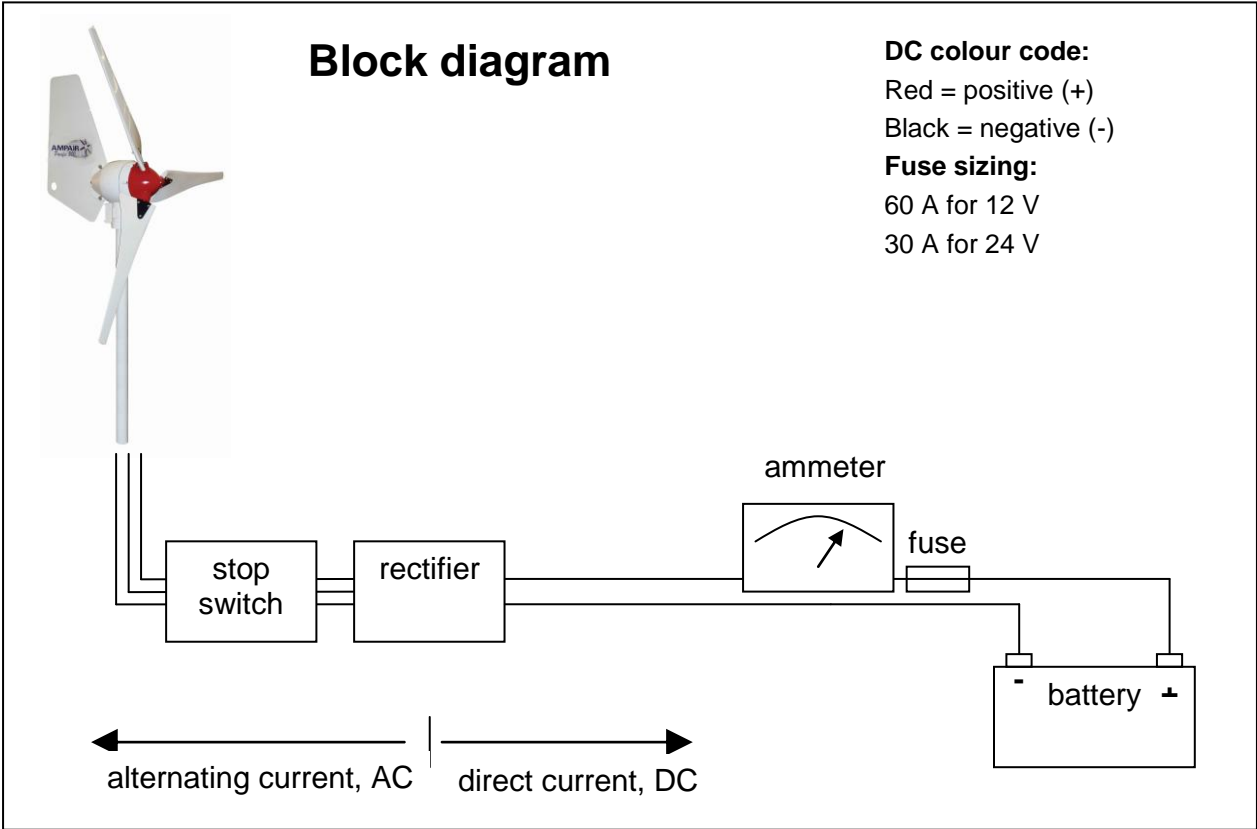
Electrical installation should only be performed by competent personnel who have studied this manual. If in doubt ask Ampair.

First mechanically mount the main system components (except the wind turbine), then run the field cabling, then make the connections, then install the wind turbine and connect to it. Only then connect to the battery.

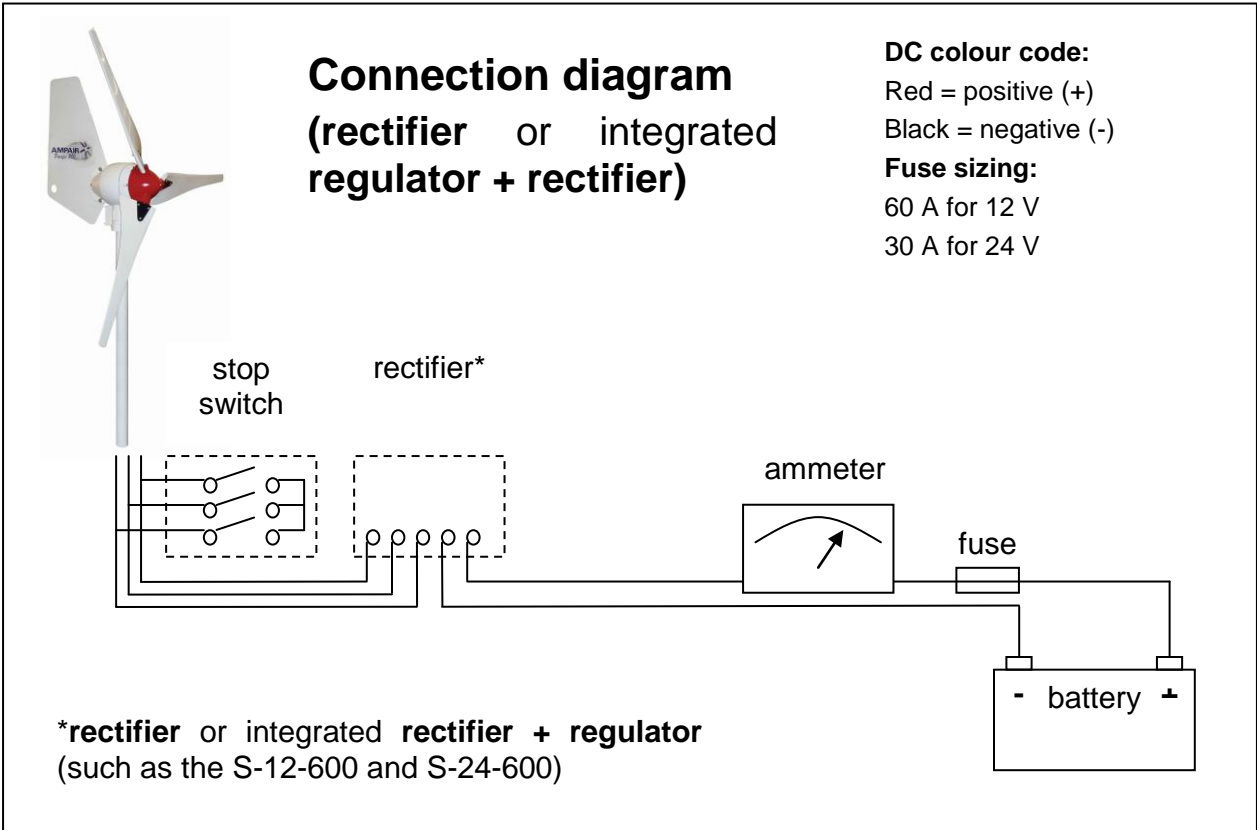
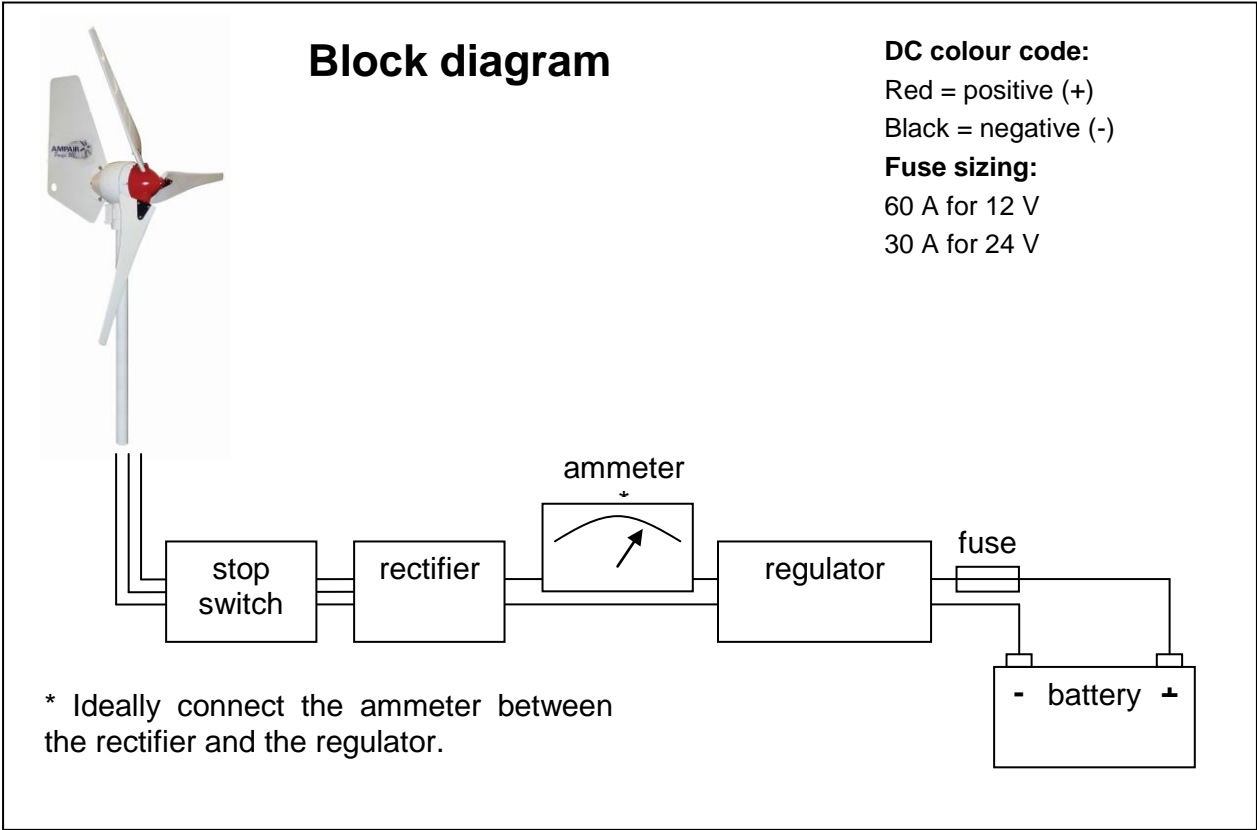
- WARNING:** Do not assemble the generator, vane and turbine until the electrical installation is completed

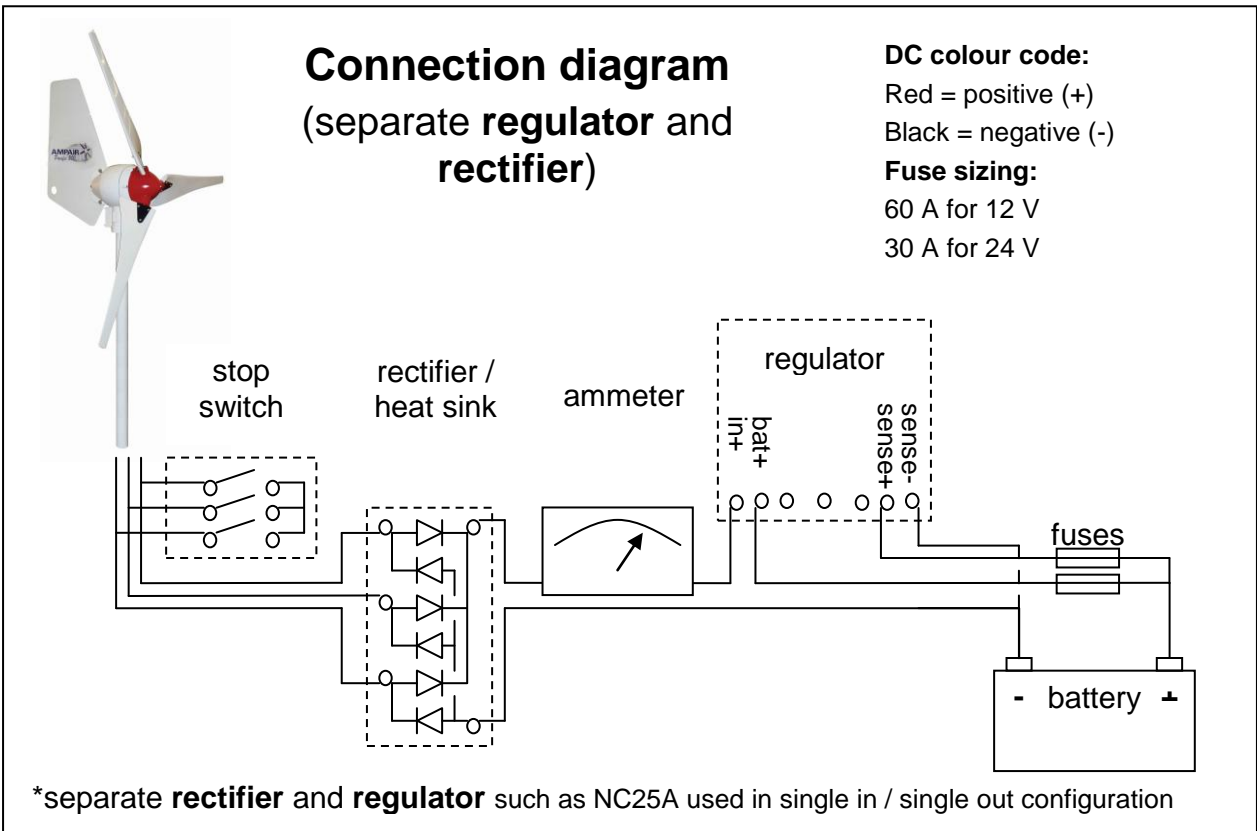
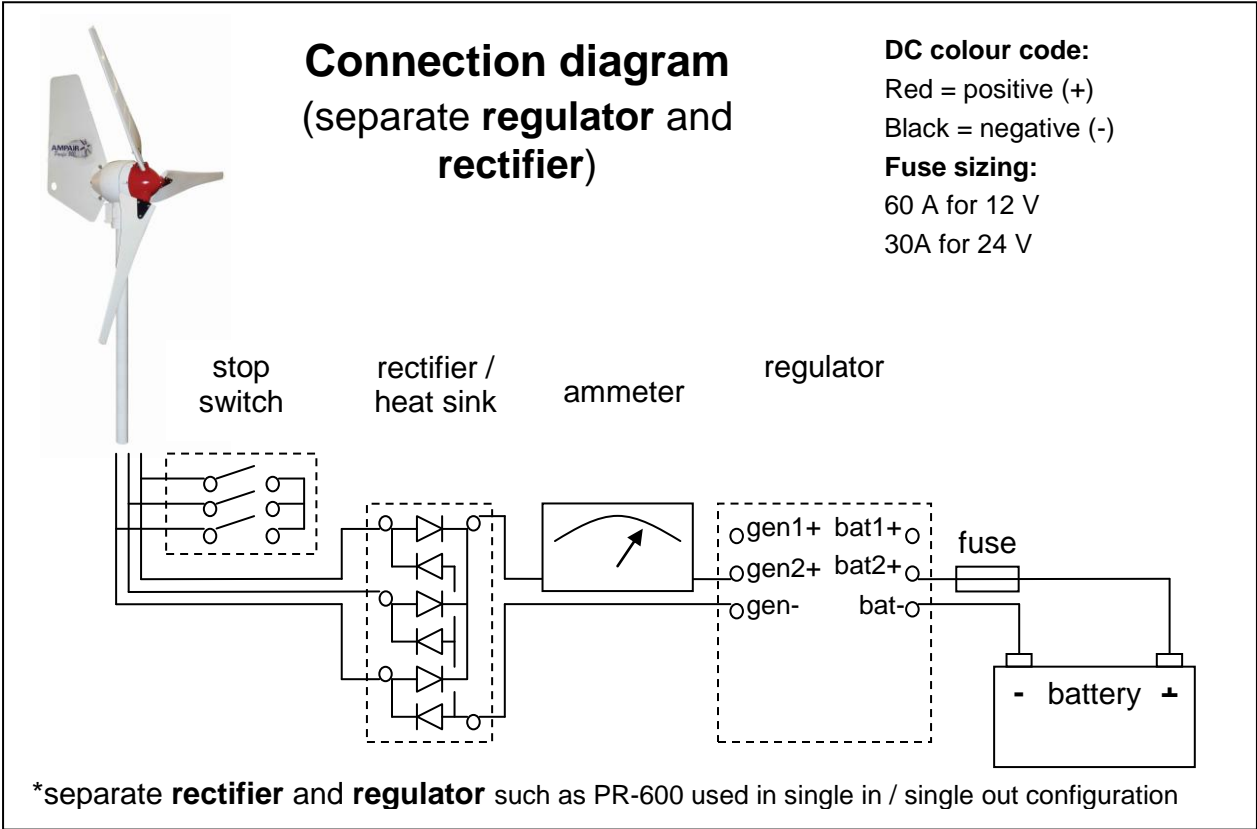
4.6.1 Wiring diagrams

4.6.1.1 Wiring diagram without regulator



4.6.1.2 Wiring diagram with regulator



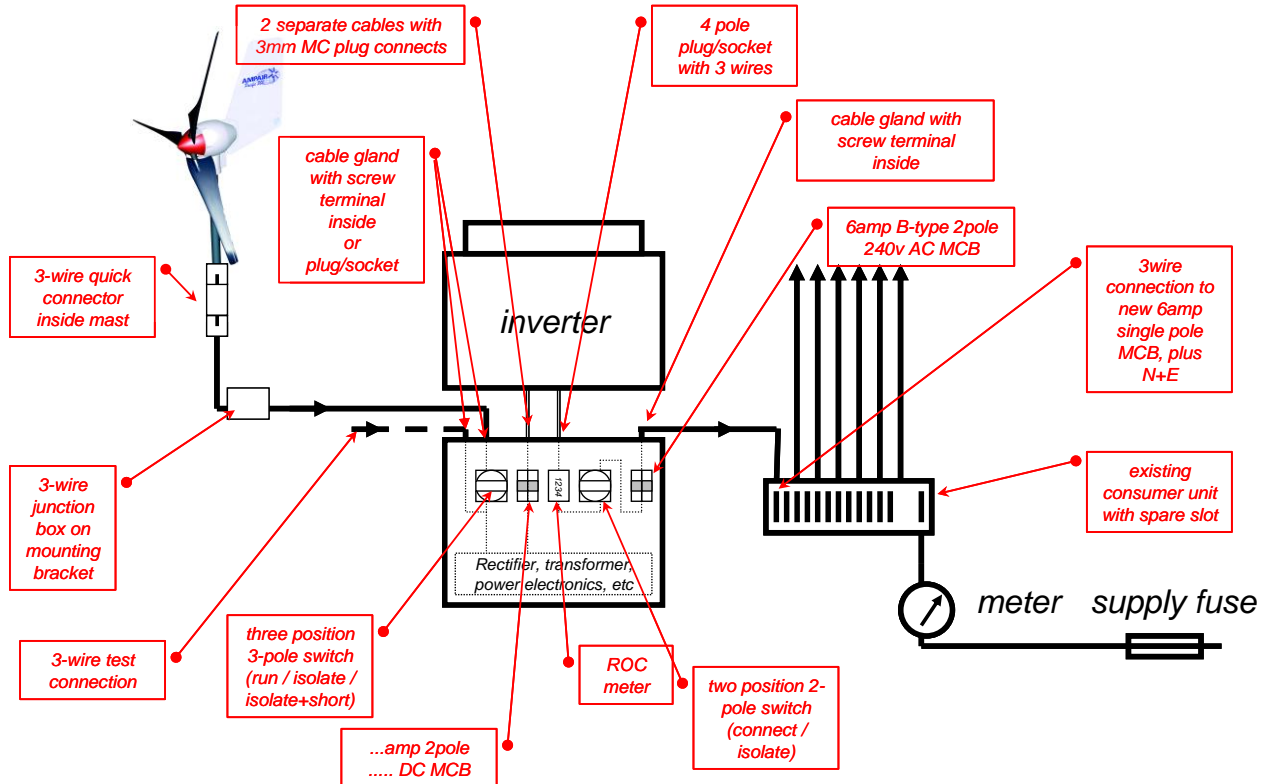


If the Ampair 600 wind turbine is connected on the load side of the battery isolator switch, it may damage electrical equipment. Under these conditions it is possible to run the wind turbine whilst the battery is isolated, but this can subject the system to excess voltage.

WARNING: Connect the wind turbine to batteries, not to loads. isolated, but this can subject the system to excess voltage.

4.6.1.3 Wiring diagram with grid tie inverter

The Ampair 600 has been designed to be used as a microgeneration system suitable for connecting to an



electrical grid as well as to battery systems. In this mode the turbine is connected to a G83/1 grid tie inverter via an interconnection unit which houses the rectifier, stop switch, metering, etc. The interconnect unit eases the task of the installing technician. These grid-connected units are only suitable for use with interconnect units and inverters supplied by Ampair, and installed by personnel trained by Ampair.

4.7 Electrical components

4.7.1 Wiring

After deciding where the wind turbine is to be mounted measure the length of the wiring that will actually run to the battery in both the AC section (the three wire section from the turbine to the rectifier) and the DC section (the two wire section from the rectifier to the battery, or from the rectifier to the grid tie inverter). Then select the minimum cross sectional area per cable from the table below. Wherever possible locate the rectifier as close to the battery so as to minimise the DC cable length and to maximise the AC cable length.

Minimum AC cable size for 12 volt wind turbine:

Total AC section length	Up to 8 m	8 to 12 m	12 to 18 m	18 to 30 m	30 to 50 m	30 to 76 m	76 to 100 m
	Up to 27 ft	27 to 40 ft	40 to 60 ft	60 to 100 ft	100 to 166 ft	166 to 253 ft	253 to 333 ft

Minimum cross sectional area per cable	4 mm ² 12 AWG	6 mm ² 10 AWG	10 mm ² 8 AWG	16 mm ² 6 AWG	25 mm ² 4 AWG	35 mm ² 2 AWG	50 mm ² 1 AWG
--	-----------------------------	-----------------------------	-----------------------------	-----------------------------	-----------------------------	-----------------------------	-----------------------------

Minimum DC cable size for 12 volt wind turbine:

Total DC section length	Up to 5 m Up to 16 ft	5 to 10 m 16 to 32 ft	10 to 18 m 32 to 60 ft	18 to 28 m 60 to 90 ft	28 to 44 m 90 to 145 ft	44 to 68 m 145 to 220 ft	68 to 110 m 220 to 360 ft
Minimum cross sectional area per cable	6 mm ² 10 AWG	10 mm ² 8 AWG	16 mm ² 6 AWG	25 mm ² 4 AWG	35 mm ² 2 AWG	50 mm ² 1 AWG	50 mm ² 1 AWG

Minimum AC cable size for 24 volt wind turbine:

Total AC section length	Up to 8 m Up to 27 ft	8 to 12 m 27 to 40 ft	12 to 18 m 40 to 60 ft	18 to 30 m 60 to 100 ft	30 to 50 m 100 to 166 ft	30 to 76 m 166 to 253 ft	76 to 100 m 253 to 333 ft
Minimum cross sectional area per cable	2.5 mm ² 14 AWG	4 mm ² 12 AWG	6 mm ² 10 AWG	10 mm ² 8 AWG	16 mm ² 6 AWG	25 mm ² 4 AWG	35 mm ² 2 AWG

Minimum DC cable size for 24 volt wind turbine:

Total DC section length	Up to 5 m Up to 16 ft	5 to 10 m 16 to 32 ft	10 to 18 m 32 to 60 ft	18 to 28 m 60 to 90 ft	28 to 44 m 90 to 145 ft	44 to 68 m 145 to 220 ft	68 to 110 m 220 to 360 ft
Minimum cross sectional area per cable	2.5 mm ² 14 AWG	4 mm ² 12 AWG	6 mm ² 10 AWG	10 mm ² 8 AWG	16 mm ² 6 AWG	25 mm ² 4 AWG	35 mm ² 2 AWG

Minimum AC cable size for 240 volt wind turbine:

Total AC section length	Up to 8 m Up to 27 ft	8 to 12 m 27 to 40 ft	12 to 18 m 40 to 60 ft	18 to 30 m 60 to 100 ft	30 to 50 m 100 to 166 ft	30 to 76 m 166 to 253 ft	76 to 100 m 253 to 333 ft
Minimum cross sectional area per cable	2.5 mm ² 14 AWG	2.5 mm ² 14 AWG	2.5 mm ² 14 AWG	2.5 mm ² 14 AWG	4 mm ² 12 AWG	4 mm ² 12 AWG	4 mm ² 12 AWG

Minimum DC cable size for 240 volt wind turbine:

This cable is supplied as part of the Ampair 600-240 equipment and the section length is less than 1 m.

WARNING: Insufficient cross sectional area of conductor will cause the cable to heat up and create a fire hazard all along the cable, at the same time.

WARNING: Always use tinned stranded conductors for best corrosion protection on boats.

WARNING: Connect with the correct polarity. When wiring the DC system be aware that if the wind turbine is connected to the battery by the reverse polarity the output rectifiers may be destroyed or the internal soldered connections to the brush holders may melt. Check and double-check DC polarity before final connection.

BROWN or RED = + Positive

BLUE or BLACK = - Negative (YELLOW is preferred colour in the USA)

Date: 30 Jan 2012	Ampair 600 Mk 1 Manual	CD: 2400
Issue: 1.1		Page 20 of 32

When mounting the Ampair 600 on its mounting pole or bracket, the cable needs to be fed down through the mounting. When arranging this cable make sure it cannot chafe at the point where it leaves the mounting pole. Either lead the cable out of the bottom of the pole in a gentle curve or, drill an exit hole in the pole large enough to take a rubber grommet to protect the cable from the sharp edges of the hole.

In marine environments cables with tinned multi-strand conductors are recommended to prevent salt air corrosion which will otherwise cause substantial performance reductions in a short time.

Wiring between the generator (or junction box, connector, etc.) and the battery area should be clipped at regular intervals to the structure for safety and a neat job.

On boats, to carry power from the Ampair to internal wiring we recommend that a good quality water-tight connector be fitted

Cable hanging inside masts can be quite heavy. We recommend fitting a strain relief at the top so that the weight is not carried by the wind turbine. Arrange this strain relief so that if the cable is disconnected from the wind turbine (so as to remove the wind turbine for maintenance) then the end of the cable can be secured and not fall down inside the mast.

If there is any danger of the cable 'slatting' noisily inside a hollow mast, then place some closed cell foam pipe insulation over it as anti-slatting collars.

Maintain a consistent colour scheme throughout the cable runs, and mark line ends with a positive (+) and negative (-) symbol to minimise risk of errors. At different times and in different countries the colour schemes used in wiring systems have varied. If reusing old cable runs the only way to be sure is to carefully trace all the cables and 'loop test' them yourself during initial installation,

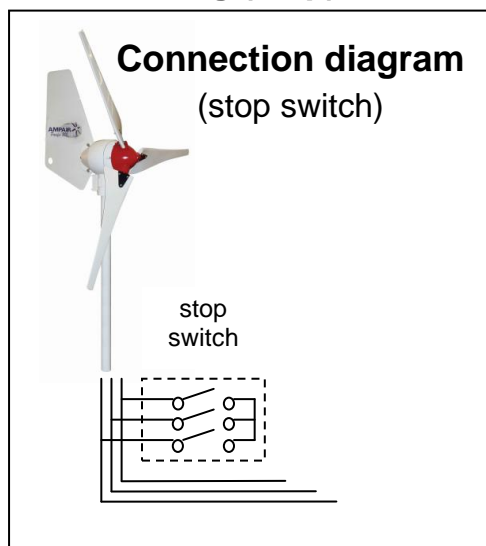
4.7.2 Fuses and circuit breakers

Fuses or miniature circuit breakers (MCBs) should always be fitted. The simplest possible arrangement feeds the power from the Ampair directly to the battery via an in-line fuse in the positive line near to the battery.

WARNING: Always install a fuse. The fuse should be next to the battery terminal since, in the event of a fault or damage to the cable, the battery will supply the fault-current.

Do not place the fuse inside the battery compartment itself as, in the event of a build up of explosive hydrogen/air mixture in the battery compartment, the spark from a blowing fuse could provide the detonation source.

4.7.3 Parking (stop) switch



We recommend installing a 'stop' switch which should be more correctly thought of as a 'parking' switch. Just as the parking brake in a car should not be relied on to stop a car at high speed, so the parking switch of the Ampair wind turbine should not be relied on to stop the rotor disc in high winds. Instead it is best to apply it before the arrival of very high winds, or if needing to ensure that the rotor does not move abruptly in low winds (e.g. when approaching the rotor for maintenance). The stop switch will permit the rotor to rotate slowly.

The Ampair regulator kit and the Ampair interconnect unit both contain a stop switch. It is possible to wire additional stop switches as shown here.

The switch should be wired as shown in the diagram above. If wired in this way the wind turbine will be stopped with the switch in the 'ON' or '1' position, and will run normally with the switch in the 'OFF' or '0' position.

IMPORTANT NOTE: The 'stop' switch is only to be used for stopping the turbine in order that it can be inspected or to carry out maintenance. In the event of high winds the turbine should be allowed to keep running, or if possible tied to its mast— **never set the 'stop' switch to short in these conditions as your turbine may be damaged.**

4.7.4 Ammeter

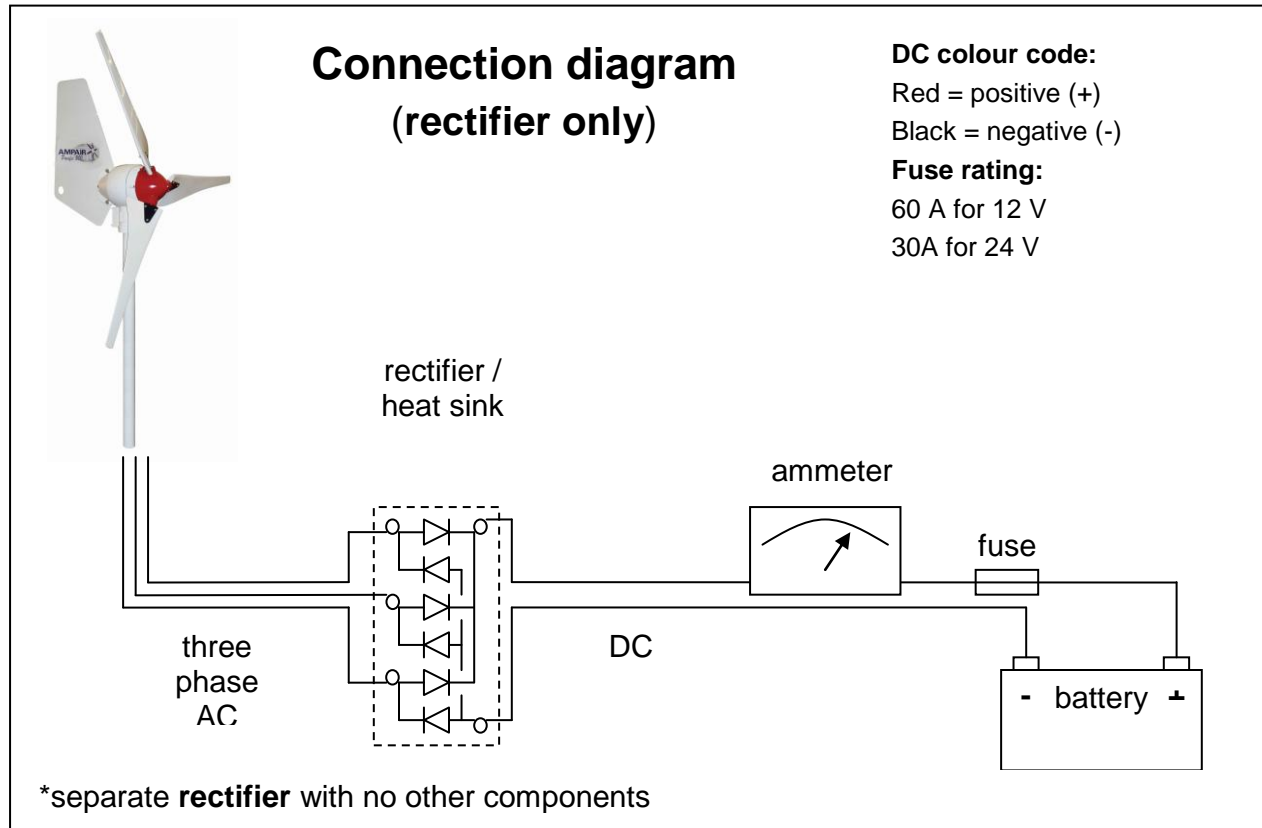
A basic ammeter enables monitoring of the performance of the system. It should be wired in series (assuming it to be of the internal shunt variety) with one line, normally the positive. This will allow the machine output to be seen at all times. As shown, the positive (+) connection of the ammeter is made to the generator, whilst the negative (-) is made to the battery. It is best to connect the ammeter in the section of cable between the rectifier and the regulator as otherwise the voltage drop across the ammeter prevents the regulator seeing the battery voltage. This point is particularly important if a poor quality ammeter is fitted. It does not apply if 'sense' wires are used.

WARNING: Never connect an ammeter across the supply.

4.7.5 Rectifiers

The purpose of a rectifier is to convert the three phase alternating current (AC) of the turbine to direct current (DC) that is useful to the battery. The rectifier may either be incorporated within the regulator or mounted separately. The advantage of incorporating it in the regulator is that wiring is easier and it is a sealed unit. The advantage of keeping them as separate components is that the regulator is more likely to fail than the rectifier, and without a rectifier the turbine is useless. So a turbine with a separate rectifier can be manually regulated in case of a regulator failure.

A separate rectifier should be mounted near the regulator and/or the battery. It should be mounted on a heat sink (supplied with Ampair rectifiers) and connected as shown in the diagram below. This rectifier is supplied as an integral part of the Ampair regulator system, or as a part of the Ampair interconnect system for grid-connected units.



4.7.6 Regulators

Ampair supplies a pre-wired regulator assembly for protecting lead acid batteries from overcharge. The battery voltage is sensed at the regulator output connection, therefore install the regulator as near the battery as practicable and keep the connecting cables short. The regulators charging continuously until a Lo or Hi voltage is reached, depending on the battery output used. The generator is then disconnected from the battery. Off-charge the battery voltage will fall. At a voltage of 0.5V below the regulation voltage a 30-second time delay is activated. This delay prevents the regulator from oscillation (hunting) when charging batteries under load.

4.7.6.1 Installation of regulators

At initial start-up, allow a gap of 1 minute for circuit timing functions to become active.

Fuse Warning: Never omit fuses, simple in-line fuse carriers may be used, they protect your system from excessive battery currents in the event of a serious electrical fault. If they keep blowing, find out why.

The external fuses must be near to the battery terminals since, in the event of a fault, the batteries would source the fault current. Check and double-check polarities before making connections, insert the fuses in the fuse carriers last of all.

All multistage regulators are internally protected by an SAE cartridge fuse. These are not substitutes for battery protection fuses.

Corrosion: This is the enemy of all electrical connections, especially in marine environments. Site regulators in a weather proof location, as dry as possible and splash proof. Inspect all terminations and connections for signs of corrosion. Rectify by cleaning, remaking etc. Use tinned copper wire for extension leads to prevent corrosion spreading inside cable insulation.

Operating Problems: A digital multimeter is useful for checking operation/fault finding if no permanent monitoring instruments are used. Battery voltage levels and those of the charging source can be read directly. Charging current readings will require the multimeter to be installed in line. In this way currents into and out of the regulator can be observed. Do not remove battery connections since regulator

Date: 30 Jan 2012	Ampair 600 Mk 1 Manual	CD: 2400
Issue: 1.1		Page 23 of 32

operation depends on a very small supply current. If the regulator is suspect then it can be temporarily bypassed by connecting the source positive direct to a battery positive. The negative connections are common and do not need disturbing unless regulator replacement is necessary. Use the multimeter continuity range to confirm all cable runs are low resistance.

Operation: When installed, the generator and regulator will run and maintain the batteries automatically. The unit may be run in conjunction with any other charge-source with no known interactive problems. Regular battery inspection and topping up must still be carried out to obtain maximum battery life.

Faulty regulator ? If the regulator is suspect, then it can be temporarily bypassed i.e. connect the rectified output of the Ampair directly to the battery terminals observing correct polarity. If this reinstates correct charging, then the regulator must be serviced or replaced. Regulators draw a small current (typically 1mA at 12V) from the battery to activate the sense and control circuits. Without this connection the regulator will be inoperative.

WARNING: Do not service regulators with the wind turbine running. First stop the wind turbine, then remove wires (or fuses), then service the regulator.

4.7.7 Earthing and lightning protection

The electrical system should be earthed. In the DC connected 24V system the decision as to whether the positive or negative should be earthed depends on the applicable local electrical code which you should consult. The most convenient place to make the earth connection is at the regulator system. Additionally there is a case earth inside the regulator itself underneath the cover plate.

In the grid-connected 230V and 115V AC system the earth is built in to the interconnect unit which has a three wire output (L, N, PE).

On land the mounting system should normally be earthed separately from the electrical system because of lightning protection concerns. How to earth the mounting system will vary depending on: local electrical codes; mounting system type; mounting system location; and whether or not a lightning protection system (LPS) is installed in the area. You should comply with local electrical codes which vary from country to country. In the absence of a local code refer to "**CE72: Guidance for installers of small wind powered electricity generating systems**" published by the EST. A copy of this is available for download on the Ampair website and page 8 is the most relevant.

4.7.8 Batteries

We recommend large battery banks. A minimum 400 Amp Hour battery bank is advisable, and 500 or 600 Amp Hours would be sensible.

4.8 Final assembly

a) Mounting the Ampair. Put a thin film of grease on the pivot shaft and its fixing screw threads to prevent corrosion. Bring the Ampair body to the mounting arrangement, pass the three core cable down the mounting pole, insert the pivot shaft of the Ampair into the top and secure the fasteners. The top of the pole is made to compress the lower pivot bearing "V" seal by about 2mm - if you have made your own fixing tube, be aware of this point to ensure free turning and weather proof sealing.

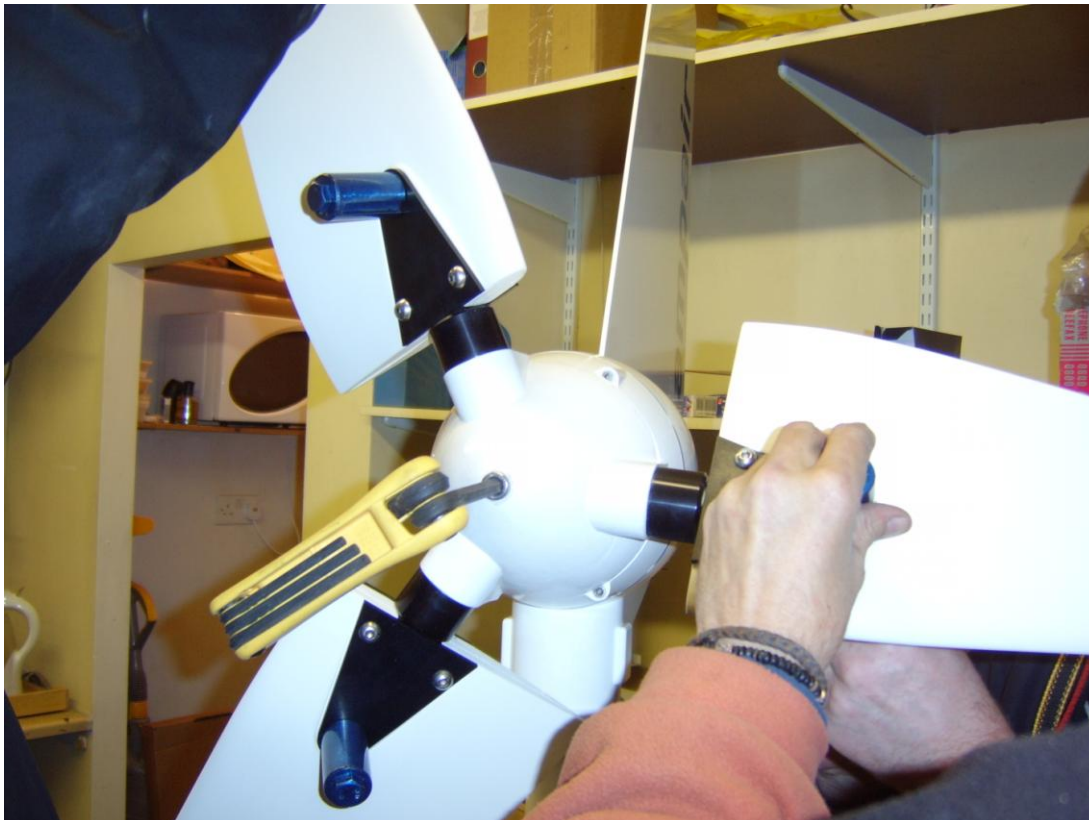
Take care to use fasteners which are long enough to suit the mounting system you have selected, but not too long. If they are too long they will cut the electrical cable which passes up the centre of the pivot shaft. The turbine is shipped with M8 x 16 cap screws which suit 48mm OD mounting systems. Always use lock washers with these fasteners.

b) Output Cable. Make the final electrical connections to the battery, as shown in the electrical section, Insert the fuse or fuses in their carriers.

WARNING: To avoid injury, fit the tail vane first. If you fit the wind turbine first, the machine will turn out of control and be a danger to approach.

c) Tail Vane. Clamp the tail vane using the M8 x 25mm screws washers and lock nuts.

d) Wind turbine. Assemble the blades to the hub with the thick edge (the leading edge) facing the wind using the M8 x 40mm fasteners, shake-proof washers and nuts. Fix the blades in place and correctly fasten the pitch weights on the front of the blades (see picture below).



The holes in the blades are a deliberately tight fit and it may be necessary to turn the fasteners as they are inserted, or even to ream through with a hand drill. First loosely fit all the nylock nuts by hand, then fully tighten with a spanner. The torque on a M8 is 21.5 Nm. Finally, recheck the tightness of all the nuts.

WARNING: Put a rope over the Ampair passing through the blades to prevent its turning as you carry out the final checks. Once the mounting is complete, make sure all personnel are clear, turn the Ampair to face the wind and whilst holding the vane step back and remove the rope.

Check all fixings at regular intervals, especially after severe winds.

5 OPERATION & PERFORMANCE

5.1 Operation - starting and stopping battery charge units

Starting up: It is assumed that the wind turbine has been assembled and installed as above. If so then remove any ropes that prevent it swivelling or the blades rotating, stand well clear, and turn the parking / stop switch to 'OFF' or '0'. Provided there is sufficient wind and the turbine has been correctly installed it will commence turning.

Stopping: The wind turbine has been designed to survive storms; however, it is a good plan to stop the machine if a hurricane is expected or to carry out inspection. Ideally stop the wind turbine using the parking / stop switch, by turning the switch to 'ON' or '1'. If one has not been fitted then proceed with

caution, approach the Ampair from downwind and grasp the tail vane (use a boathook if available). The hole in the bottom rear of the tail fin is intended to make this easier. Carefully turn the machine off wind and when the blades stop, throw a rope over them and tie down. Never throw a rope into the turning blades.

WARNING: To avoid personal injury wear sturdy gloves as a precaution. The wind turbine blades are capable of causing grave personal injury and should be treated with the same respect as an aircraft propeller.

Long term 'shut down': If it is desirable to shut the wind turbine down for a long period it must always be left with the stop switch in the shorted position or the turbine should be physically restrained. If it is necessary to remove the interconnect unit or the regulator unit then the turbine output wires should be manually shorted (by twisting them together and securing in a terminal block). Alternatively secure the turbine with a rope to prevent the blades turning. Never leave the turbine freewheeling with no electronics systems attached.

WARNING: If leaving the turbine shut down for an extended period either manually secure the blades; or use the stop switch; or short the turbine output wires. Never leave the turbine freewheeling.

5.2 Operation – grid connected unit

Mandatory G83 dual supply notice

Switch this to SHORT to stop the turbine and disconnect it electrically. This is the only way to put a BRAKE on the turbine.

Three phase circuit breaker (MCB) prevents the turbine overpowering the interconnect unit and inverter.

Test point (only for maintenance)

Mandatory G83 wiring diagram should be left next to unit

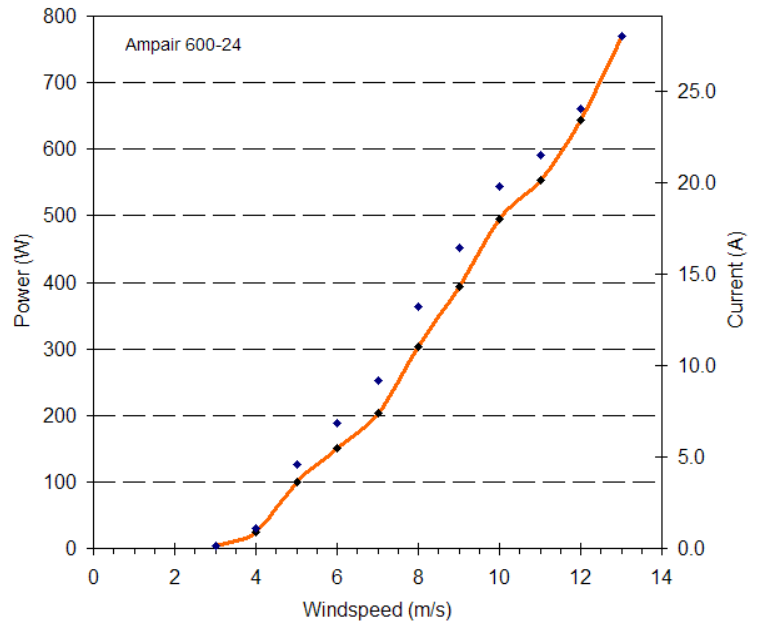
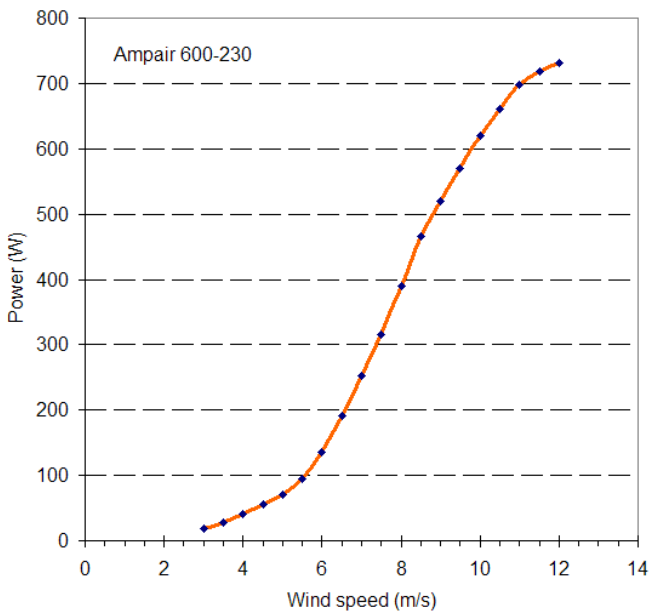


Cumulative power production in kWh

Single phase RCD disconnects inverter, interconnect, and turbine. Switch it OFF to disconnect everything

5.3 Performance

The graph shows the output for a range of wind speeds. The drag due to the wind turbine is about 800 Newtons (80 kg / 160 lbs) at 20 metres per second (40 knots) wind speed.



6 INSPECTION & MAINTENANCE

First stop the machine, see section on Stopping.

WARNING: The wind turbine blades are capable of causing grave personal injury and should be treated with the same respect as an aircraft propeller.

Put a rope over the Ampair passing through the blades to prevent its turning as you carry out the final checks. Once the mounting is complete, make sure all personnel are clear, turn the Ampair to face the wind and whilst holding the vane step back and remove the rope.

Check all fixings at regular intervals, especially after severe winds.

To avoid personal injury wear sturdy gloves as a precaution.

Regularly inspect the following:

- Blade fasteners & nuts
- Hub cap fixing (centre) screw
- Wind turbine blades
- Tail vane screws
- Pole mount screws

Date: 30 Jan 2012	Ampair 600 Mk 1 Manual	CD: 2400
Issue: 1.1		Page 27 of 32

The Ampair wind turbine generator should be inspected regularly, particularly after stormy weather, for signs of accidental damage. Any minor nicks in the edge of a blade may be filled with epoxy, but blades must be replaced if there is any sign of damage or cracking near the root. All three blades undergo very similar stresses in service and so if one blade needs replacing then all three must be replaced.

If paint marker is clearly applied across tailfin and blade bolts then it will be possible to observe the bolt positions from the ground via binoculars. Also it is good practice to listen for a change in the sound of the wind turbine and investigate promptly if an untoward noise is heard.

Ampair recommends a minimum of an annual visual and aural inspection.

WARNING: Never allow the machine to run out of balance.

The blade material has good fatigue resistance which is of the utmost importance in hostile locations such as tropical sunshine and mountain tops. The material is, however, subject to slow degradation due to ultra violet light which increases towards the tropics and with altitude. This process is slow and when it becomes apparent as a slight crazing of the blade surface, particularly along leading and trailing edges.

The design of the blades makes the Ampair a very quiet running machine. If vibration is encountered, this is evidence that the turbine is running out of balance. To prevent any resultant noise and the risk of fixings working loose, it is most important to take action. Remove the turbine, take out the blades and examine them. If they are unbalanced and/or damaged then replace them. If they appear fine but vibration still occurs then it is possible that there is internal damage or a mounting system fault.

Any other machine noise should also be investigated. Only after very extended running life should there be any detectable bearing noise. If this is the case, refer to the maintenance section for instructions on their replacement.

The lower pivot bearing and "O" seal should be renewed after 2 - 3 years of regular use in marine or tropical locations. The bearings should be replaced when they become noisy. Regularly check the security of the fixings on hub, vane and pole. If damage to the paint occurs, clean off any corrosion and repaint. Clean the brushes, taking care not to damage the brush springs when handling.

6.1 Major disassembly

- a) Stop the wind turbine rotating.
- b) Disconnect from the batteries, removing the fuses first.
- c) Remove the wind turbine's hub and blades. The high tensile hub centre cap screw has a conventional right handed thread. A smart tap on an 8mm Allen key (hex wrench) may be necessary to disengage it from the freewheeling alternator. Pull the hub away from the machine. Depending on circumstances it may be easier to take the blades off individually and then the hub. This hub screw is a special high tensile stainless steel and must not be substituted for any other hub screw.

WARNING: Only use the special high tensile hub screw supplied by Ampair.

- d) Remove the tail vane.
- e) Feed some excess cable length up the pole.
- f) Remove the fasteners from the pivot and lift the machine off the pole.

6.1.1.1 Hub section

The hub (the nose cone) which contains the PowerFurl™ furling mechanism is not a user serviceable component and a sealed replacement unit should be installed.

If it is necessary for a user to dismantle the hub in an emergency then great care should be taken to keep the assembly clean and dust free. If dismantling the hub little or no lubrication is required – just a very light smear of chain oil on the slider and crank pins. No special tools are required for hub disassembly other

than circlip pliers and parallel sided punches, but a decent workbench with a vice and some wood blocks will be useful.

6.1.1.2 Pivot section

With the machine on the bench, undo the electrical box cover and disengage the three brushes and remove the brushes to a safe place. Prise out the end of the spiral retaining ring from around the pivot lower bearing. Withdraw the pivot assembly; a good tug may be needed. Inspect the slip rings, clean if necessary. Badly corroded/pitted slip rings should be lightly skimmed on a lathe.

Inspect the lower bearing, if this is loose, obtain a replacement. Inspect the top bearing in the pivot housing. Inspect the "O" rings and "V" seal, replace if worn. It is sometimes easier to remove the Ampair generator head with the pivot in situ. Disconnect the battery first and remove the brushes. Uncoil the retaining ring and lift the body over the pivot. The exposed slip-ring must be protected from the environment if the generator is removed for further servicing.

When reassembling put silicone grease (not petroleum grease or jelly) around the shaft where it passes through the lower bearing. Slide the bearing and "V" seal down the shaft about 20mm and wipe grease around the shaft. Slide the bearing back up the shaft and remove the excess grease, wipe a fillet of grease around the point where the "V" seal sits and slide the "V" seal into place. Before reinsertion wipe the slip rings to remove any trace of contamination due to handling and put grease around the lower bearing "O" ring. Gently slide into place and wind the spiral retaining ring into its groove. Clean and replace the brushes (spare brushes are available but brushes have a very long life due to the low rotational speeds). Re-check the pivot for excess side play, if this is suspect replace the lower bearing and "O" ring. Failure to do so may wear the pivot. If the electrical box cover is removed, it must be totally resealed before returning the Ampair to service.

6.1.1.3 Electrical section

A simple method of checking the machine's output is to disconnect it from the battery and short together its three AC output leads whilst turning the shaft by hand. A marked increase in resistance to turning should be felt as the shorting occurs (this is what the stop switch does).

Possible faults to consider if reduced output is suspected:

Corroded wiring: By far the most common cause of reduced output is corroded wiring between Ampair and battery. Before suspecting the machine, check any screw terminal or crimp connections and all cable runs between Ampair and battery.

Poor wiring connections: Inspect all the screw terminals in the Ampair circuit for signs of fatigue or corrosion.

Brush-gear: Sticking brushes or associated brush-gear contact problems. See Pivot Section.

Faulty stator: Check AC input to rectifiers or check for coil continuity and isolation from the case. The resistance should be less than two Ohms (approx. three Ohms 24V units)

Faulty rectifiers: The rectifiers should last the life of the machine. The most likely cause for their demise is accidental reverse polarity connection of Ampair to battery. If this is suspected the rectifier diode bridges must be checked.

Diode Test: This test will show if the rectifier diodes are either open or short circuit. If your multimeter has a diode check feature, select this (if not select the highest resistance range) and, after removing the connecting wires apply the red meter lead to the red rectifier lead (disconnected from battery plus), black meter lead to thick black lead (disconnected from battery minus), and note the reading. Now reverse the connections.

METER LEAD POSITION	MULTIMETER SETTING			CONCLUSION
	DIODE TEST		OHMS x 100	
Red to Red.	No reading	or	many Megohms	OK
	Reading	or	low resistance	Not OK
Black to Red	0.5 to 1 volt (two diode drops)	or	markedly less*	OK

	No reading	or	high resistance	Not OK
--	------------	----	-----------------	--------

**This test is not as conclusive as the diode test method however, provided the first reading is a very high resistance and the second reading far lower, then the test is valid. Actual values will depend on the voltage supplied by the particular meter for its resistance ranges.*

The rectifiers are located on a separate heat-sink which should have been installed as part of the regulator. Unsolder the commoning links between the three rectifier outputs to check outputs separately.

6.1.1.4 Alternator section

Referring to the exploded diagram of the wind turbine, undo the six M5 x 50 mm screws on the front of the Ampair and pull the front fore-body flange away from the main body. Do this very carefully as it must be withdrawn true or it will jam on the stator. The shaft and bearings are located using Loctite anaerobic adhesives so some force may be necessary to part them. A puller may have to be improvised to do this. This job should, therefore, be done on a suitable work bench. The rear bearing needs a bearing puller to remove it, if no puller is available, a dummy shaft may be fixed in the bearing centre using epoxy adhesive and, when cured, the bearing worked loose. The front bearing may be drifted out following removal of the circlip. Prior to re-assembly, the bearing housings, the bearings inner and outer surfaces and the shaft surfaces should all be thoroughly cleaned and de-greased.

When re-assembling use adhesives as follows:

Bearings to body	Loctite 641
Shaft to bearings	Loctite 641

When replacing the fore-body, make sure that the new "O" ring is in place and well smeared with silicone grease. Assemble the body checking that the wiring to the stator cannot touch the rotor. Tighten the six M5 x 50 mm bolts up slowly and evenly taking care to keep the stator parallel in the housing and tighten until the body sealing O ring has been evenly compressed all the way around.

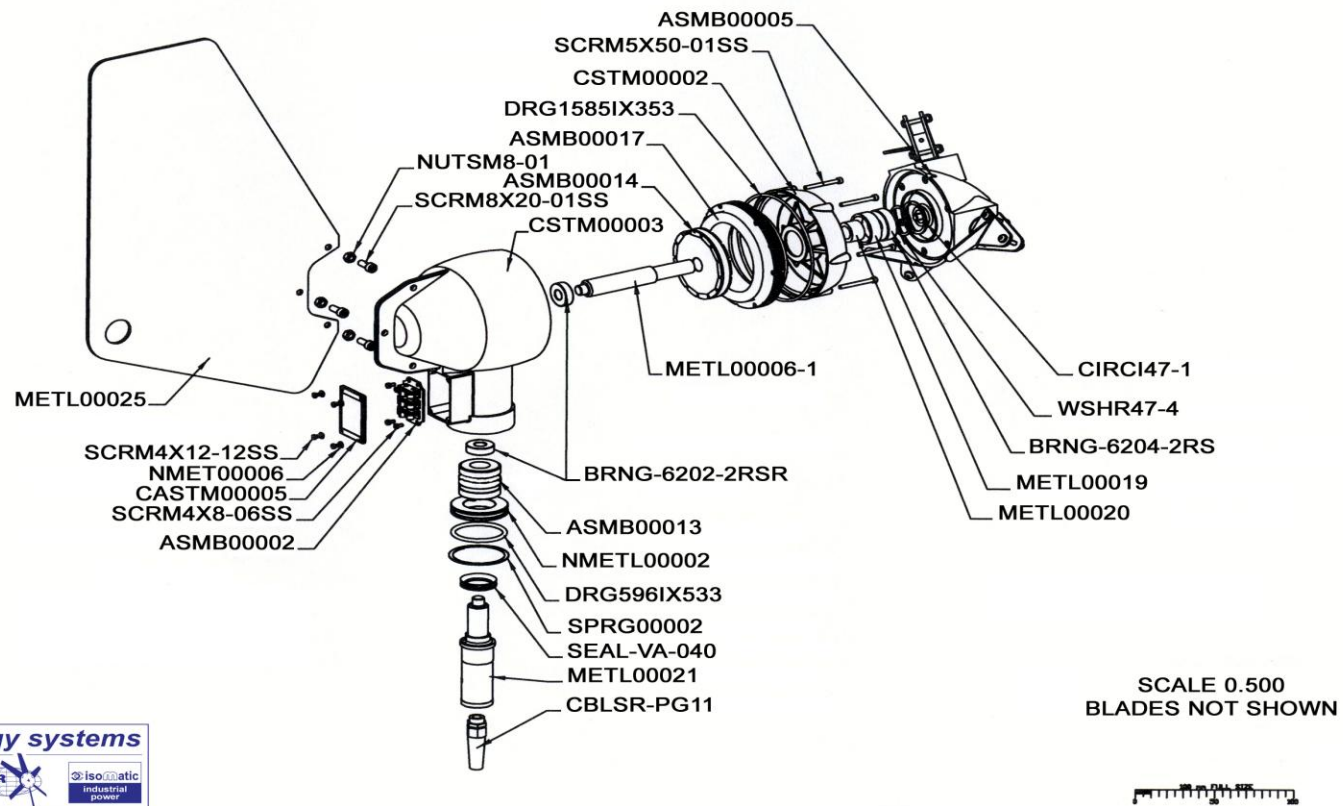
6.1.1.5 Stator and rotor replacement

This is normally a factory operation. Rotor damage is unlikely, but sometimes occurs due to corrosion or other mechanical problems. Considerable force is necessary to break the adhesive bond between the rotor and rotor shaft and a bearing press with guide tools to protect the shaft is needed. The magnets are both very powerful and brittle, and so difficult to work with in the field. Rotor/shaft assemblies can be returned for replacement.

Stator failure only normally occurs due to salt water immersion. Any accident causing this necessitates the immediate cleaning of all parts with fresh water and then drying thoroughly. Leaving to dry naturally causes the loss of stator winding insulation due to salt corrosion resulting in electrical leakage and shorted turns.

6.2 Drawings and component list

6.2.1 Exploded drawing



6.2.2 Key to exploded drawing

Part Number	Spares Kit	Description
CIRCI47-1		Front bearing retaining circlip
WSHR47-4	AM SP3054	Front bearing washer
BRNG-6204-2RS		Front bearing
BRNG-6202-2RSR		Rear bearing
ORG1585IX353		Main body O ring
METL00019		Outer bearing spacer
METL00020		Inner bearing spacer
METL00006-1		Alternator shaft
ASMB00013		Slip ring assembly
BRNG-6202-2RSR	AM SP6026	Pivot top bearing
NMETL00002		Pivot lower plain bearing
ORG59IX533		Lower plain bearing O ring
SPRG00002		Spiral retaining ring
SEAL-VA-040	AM SP1030	Pivot shaft V seal
METL00021		Pivot shaft
CBLSR-PG11		Cable gland
ASMB00002		Brush holder assembly
BRSH00001	AM SP3035	Brush set (3 off)
SCRM4x8-06SS		M4x8 machine screws
CSTM00005		Electrical box lid
NMETL00006		Insulating washer
SCRM4x12-12SS		M4x12 self tapping screws
METL00025		Tail fin
SCRM8x20-01SS		M8x20 bolts
NTSM8-01		M8 nuts
CSTM00003		Main body
ASMB00014		Rotor assembly
ASMB00017		Stator assembly
CSTM00002		Front cover
SCRM5x50-01SS		M5x50 bolts
ASMB00005	AM SP3012	Hub assembly
NMETL00008	AM SP3014	Blade set (3 off)
METL00014	AM SP3051	Hub cap screw
	AM SP3037	Rectifier assembly & heat-sink

6.3 Recommended spares

Depending on location spares worth considering are:

Short term spares:

	Spares Kit	Comments
Blade set (3 off)	AM SP3014	On all sailing boats or at remote locations a spare set of (three) blades should be carried in case of accidental damage.
Pivot seal	AM SP1030	In case of loss during servicing
Hub cap screw	AM SP3051	In case of loss during assembly
Brush set (3 off)	AM SP3035	In case of loss during servicing

Long term spares:

	Spares Kit	Comments
Pivot seal & bearings	AM SP6026	Replacement may be required after several years
Main bearing set	AM SP3054	Unlikely to be required but an insurance policy
Rectifier assembly	AM SP3037	Unlikely to be required unless polarity is accidentally reversed, however, another insurance policy
Hub	AM SP3012	Unlikely to be required but an insurance policy

No special tools are required (except circlip pliers).

7 WARRANTY

Please see Ampair terms and conditions, available on request. Please keep your invoice as proof of purchase.

8 SERVICING, REPAIRS, & DISPOSAL

Ampair wind turbines may be returned for servicing and repair to:

AMPAIR ENERGY LTD.
Unit 2, Milborne Business Centre,
Blandford Hill, Milborne St Andrew,
Blandford Forum,
Dorset, DT11 0HZ
UK

Tel. +44 (0) 1258 837 266
Fax. +44 (0) 1258 837 496
E-mail sales@ampair.com
Web site: www.ampair.com

At the end of an Ampair 600's service life it may be disposed of via normal local recycling facilities. Lead free solders have been used; the main metal components are iron, stainless steel, aluminium, copper, and brass; no unusual coatings have been applied; and the blades do not contain carbon fibre. The Ampair 600 complies with the WEE and RoHS directives.